

Serie 1415

Descripción

| | | | |
|------------|--|---|--|
| Tipo | Válvula seguridad | | |
| Conexiones | ASME/ANSI B16.5 | ANSI150 / 300 / 600 / 900 / 1500 / 2500 | |
| Material | Acero carbono A 216 WCB/ WCC, A 217 WC6, S.S. A 351 CF3M y Duplex Rango temp. : -196°C to +555°C | | |

Información técnica

| | |
|-------------------|-------------------------------------|
| Aplicaciones | Vapor, gases, líquidos |
| Tara mínima | 0,2 barg; Con fuelle 2 barg |
| Asiento | Metal-metal, PTFE, Viton y Stellite |
| Sobrepresión | 10% para vapor y gases |
| | 20% para exposición al fuego |
| | 25% para líquidos |
| Cierre / blowdown | 10% |
| Tolerancia tara | ± 3% |

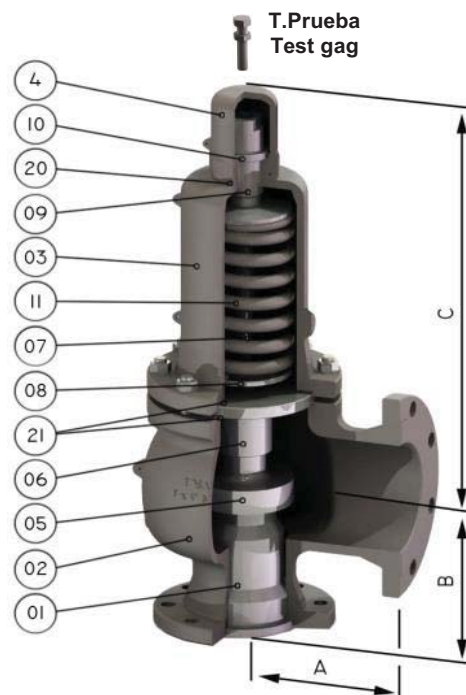
Requerimientos

| | |
|-------------|------------------------------------|
| Cálculo | API RP 520 |
| Diseño | API STD 526, ASME Section VIII |
| Materiales | EN / ASTM / ASME |
| Inspección | EN-4126-1 / 7 API STD 527 MSS-SP55 |
| Tolerancias | EN-4126-1 and ASME UG-126 |

Construcción y materiales

| Item | Descripción | Material | |
|------|---------------------|-----------------|-----------------|
| | | Ac. Carbono | Ac. Inoxidable |
| 1 | Tobera | AISI-316L | AISI-316L |
| 2 | Cuerpo principal | A216 WCB | A351 CF-3M |
| 3 | Cuerpo intermedio | A216 WCB | A351 CF-3M |
| 4 | Cabezal | A351 CF 8 | A351 CF 8 |
| 5 | Obturador | AISI-316L | AISI-316L |
| 6 | Guía | AISI-316L | AISI-316L |
| 7 | Espiga | AISI-316L | AISI-316L |
| 8 | Platillos | Ac carbono | AISI-303 |
| 9 | Tllo. Regulación | AISI-303 | AISI-303 |
| 10 | Contratuerca | AISI-303 | AISI-303 |
| 11 | Muelle | 1.8159 C. S. | AISI-302 |
| 12 | Palanca | A351 CF 8 | A351 CF 8 |
| 17 | Tope de palanca | AISI-316L | AISI-316 |
| 18 | Eje palanca | AISI-303 | AISI-303 |
| 19 | Eje palanca estanca | AISI-303 | AISI-303 |
| 20 | Junta | PTFE | PTFE |
| 21 | Junta | Graphite + S.S. | Graphite + S.S. |
| 22 | Junta | Viton | Viton |
| 27 | Fuelle | AISI-316 TI | AISI-316 TI |
| 28 | Asiento blando | Viton / PTFE | Viton / PTFE |

Recambios recomendados



Opciones

Palanca manual
Lifting device



Palanca estanca
Sealed packing lever



Cpo. intermedio abierto
Open bonnet



Asiento blando
Soft seat



Fuelle
Bellows



Serie 1415

Dimensiones

| | | Orif. (mm) | Area (mm ²) | ANSI 150 | | | | ANSI 300 | | | | ANSI 600 | | | |
|-----|------------------|---------------|----------------------------|----------|-----|-------|--------------|----------|-----|-------|--------------|----------|-----|-----|--------------|
| | | | | (mm) | | | Peso (kg) | (mm) | | | Peso (kg) | (mm) | | | Peso (kg) |
| | | | | A | B | C | W | A | B | C | W | A | B | C | W |
| D/E | 1/2" D / E 1" | 9,5/13 | 71/133 | 95 | 95 | 275 | 10 | 95 | 95 | 275 | 10 | 95 | 100 | 275 | 11 |
| | 3/4" D / E 1" | 9,5/13 | 71/133 | 95 | 95 | 275 | 10 | 95 | 95 | 275 | 10 | 95 | 100 | 275 | 11 |
| | 1" D / E 1" | 9,5/13 | 71/133 | 95 | 95 | 275 | 10 | 95 | 95 | 275 | 10 | 95 | 100 | 275 | 11 |
| | 1" D / E 2" | 9,5/13 | 71/133 | 114 | 105 | 275 | 14 | 114 | 105 | 275 | 16 | 114 | 105 | 275 | 18 |
| F | 1 1/2" F 2" | 16 | 201 | 121 | 124 | 315 | 17 | 121 | 124 | 315 | 17 | 152 | 124 | 315 | 20 |
| | 1 1/2" F 2" 300L | 16 | 201 | • | • | • | • | 152 | 124 | 315 | 17 | • | • | • | • |
| G | 1 1/2" G 3" | 21 | 346 | 121 | 124 | 400 | 26 | 121 | 124 | 400 | 26 | 152 | 124 | 400 | 28 |
| | 1 1/2" G 3" 300L | 21 | 346 | • | • | • | • | 152 | 124 | 400 | 26 | • | • | • | • |
| H | 1 1/2" H 3" | 26 | 531 | 124 | 130 | 400 | 26 | 124 | 130 | 400 | 26 | • | • | • | • |
| | 2" H 3" | 26 | 531 | • | • | • | • | 124 | 130 | 400 | 27 | 162 | 154 | 400 | 32 |
| J | 2" J 3" | 32,5 | 830 | 124 | 137 | 400 | 28 | 124 | 137 | 400 | 29 | • | • | • | • |
| | 3" J 4" | 32,5 | 830 | • | • | • | • | 181 | 184 | 595 | 56 | 181 | 184 | 595 | 62 |
| K | 3" K 4" | 40 | 1.195 | 162 | 156 | 595 | 56 | 162 | 156 | 595 | 56 | 181 | 184 | 595 | 62 |
| L | 3" L 4" | 49 | 1.866 | 165 | 156 | 595 | 56 | 165 | 156 | 595 | 56 | • | • | • | • |
| | 4" L 6" | 49 | 1.866 | • | • | • | • | 181 | 179 | 630 | 56 | 203 | 179 | 630 | 90 |
| M | 4" M 6" | 55 | 2.376 | 184 | 178 | 630 | 88 | 184 | 178 | 630 | 90 | 203 | 178 | 630 | 110 |
| N | 4" N 6" | 60 | 2.827 | 210 | 197 | 630 | 88 | 210 | 197 | 630 | 90 | 222 | 197 | 630 | 110 |
| P | 4" P 6" | 73 | 4.185 | 229 | 181 | 630 | 88 | 229 | 181 | 630 | 90 | 254 | 225 | 630 | 120 |
| | 4" P 6" 300L | 73 | 4.185 | • | • | • | • | 254 | 181 | 630 | 90 | • | • | • | • |
| Q | 6" Q 8" | 96 | 7.238 | 241 | 240 | 690 | 140 | 241 | 240 | 690 | 140 | 241 | 240 | 690 | 190 |
| R | 6" R 8" | 115 | 10.387 | 241 | 240 | 690 | 140 | 241 | 240 | 690 | 140 | • | • | • | • |
| | 6" R 10" | 115 | 10.387 | • | • | • | • | 267 | 240 | 795 | 198 | 267 | 240 | 795 | 198 |
| T | 8" T 10" | 147 | 16.972 | 279 | 276 | 800 | 210 | 279 | 276 | 800 | 220 | • | • | • | • |
| V | 10" V 14" | 200 | 31.415 | 406 | 305 | 1.390 | 750 | 406 | 305 | 1.390 | 780 | • | • | • | • |
| W | 12" W 16" | 228 | 40.828 | 406 | 359 | 1.432 | 800 | 406 | 359 | 1.432 | 850 | • | • | • | • |

| | | Orif. (mm) | Area (mm ²) | ANSI 900 | | | | ANSI 1500 | | | | ANSI 2500 | | | |
|-----|-------------|---------------|----------------------------|----------|-----|-----|--------------|-----------|-----|-----|--------------|-----------|-----|-----|--------------|
| | | | | (mm) | | | Peso (kg) | (mm) | | | Peso (kg) | (mm) | | | Peso (kg) |
| | | | | A | B | C | W | A | B | C | W | A | B | C | W |
| D/E | 1 1/2" D 2" | 9,5/13 | 71/133 | 140 | 105 | 315 | 19 | 140 | 105 | 315 | 24 | • | • | • | • |
| | 1 1/2" D 3" | 9,5/13 | 71/133 | • | • | • | • | • | • | • | • | 178 | 140 | 325 | 30 |
| F | 1 1/2" F 3" | 16 | 201 | 165 | 124 | 315 | 22 | 165 | 124 | 315 | 22 | 178 | 140 | 325 | 30 |
| G | 1 1/2" G 3" | 21 | 346 | 165 | 124 | 430 | 28 | • | • | • | • | • | • | • | • |
| | 2" G 3" | 21 | 346 | • | • | • | • | 175 | 156 | 444 | 41 | 175 | 156 | 444 | 50 |
| H | 2" H 3" | 26 | 531 | 162 | 154 | 400 | 32 | 162 | 154 | 430 | 45 | • | • | • | • |
| J | 3" J 4" | 32,5 | 830 | 181 | 184 | 595 | 62 | 181 | 184 | 595 | 65 | • | • | • | • |
| K | 3" K 6" | 40 | 1.195 | 216 | 198 | 610 | 90 | 216 | 198 | 610 | 105 | • | • | • | • |
| L | 4" L 6" | 49 | 1.866 | 222 | 197 | 820 | 120 | 222 | 197 | 820 | 120 | • | • | • | • |
| M | 4" M 6" | 55 | 2.376 | 222 | 197 | 690 | 120 | • | • | • | • | • | • | • | • |
| N | 4" N 6" | 60 | 2.827 | 222 | 197 | 820 | 120 | • | • | • | • | • | • | • | • |
| P | 4" P 6" | 73 | 4.185 | 254 | 225 | 630 | 120 | • | • | • | • | • | • | • | • |