

Model 1216

Description

Type	Safety and Relief valve		
Connections / Rating	Threaded	BSP / NPT	PN-40
Material	Stainless steel 316 L	Temperature range	-20 to +350°C Cryogenic service until -196°C

Technical information

Applications	Steam, gases, vapours and liquids
Min. Set pressure	0,2 barg
Overpressure	10%
Blowdown	Gases 10%, liquids 20%
Tolerance Set pressure	± 3%

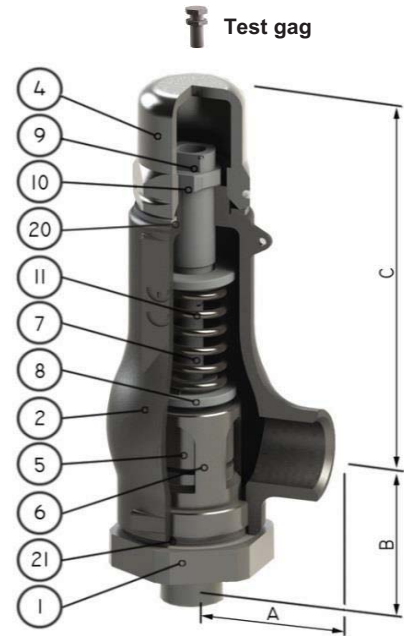
Requirements

Calculation	EN-4126-1 / 7
Design	EN-12516-1, EN-4126-1 / 7 DIN 259 and ANSI B2.1
Materials	EN
Inspection	EN-4126-1 / 7

Construction and materials

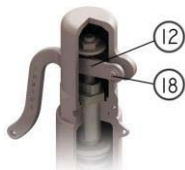
Item	Description	Material	
		Standard	Cryogenic
1	Nozzle	A351 CF-3M	A351 CF-3M
2	Body	A351 CF-3M	A351 CF-3M
4	Cap	A351 CF-8	A351 CF-8
5	Disc	AISI-316L	AISI-316L
6	Guide	A351 CF-3M	A351 CF-3M
7	Push Road	AISI-316L	AISI-316L
8	Spring Button	AISI-303	AISI-303
9	Ajusting Screw	AISI-303	AISI-303
10	Tensor Nut	AISI-303	AISI-303
11	Spring	AISI-302	17 / 7PH
12	Lever	A351 CF-8	A351 CF-8
17	Release nut	AISI-316	AISI-316
18	Lever axis	AISI-303	AISI-303
19	Packing lever axis	AISI-303	AISI-303
20	Gasket	PTFE	PTFE
21	Gasket	PTFE	PTFE
22	Gasket	Viton	Viton
28	Soft seat	Viton / PTFE	Metal

 Recommended spare parts



Options

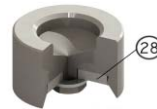
 Lifting device



 Sealed packing lever



 Soft seat



Dimensions

	Orifice	Area (mm ²)	A (mm)	B (mm)	C (mm)	Weight (kg)	
	1/2" x 3/4"	13	133	45	57	155	2,2
	1/2" x 1"	13	133	45	57	155	2,2
	3/4" x 1"	14	154	45	57	155	2,2
	1" x 1"	16	201	45	60	155	2,2
	1" x 1 1/4"	16	201	45	61	155	2,3
	1" x 2"	22	380	62	87	234	4,5
	1 1/4" x 1 1/4"	18	254	45	62	155	2,4
	1 1/2" x 2"	28	616	62	89	234	4,6
	2" x 2"	32	804	62	93	234	5,1